



TECHNICAL DATA:

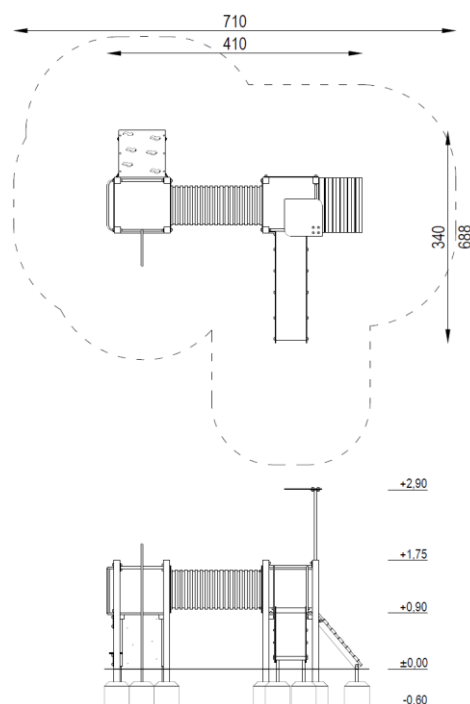
Not easily accessible device,
according to standard EN 1176-1:2017

Device dimensions: 4,10 x 3,40m
 Device height: 2,90m
 Minimum space: 7,10 x 6,88m
 Falling area: 33,92m²
 Critical fall height: 0,90m
 Foundations depth: -0,60m

The device according to EN 1176-1:2017
 Playground equipment and surfacing – Part 1:
 General safety requirements and test methods

Safety surfaces:
 - turf / topsoil, sand, gravel, bark, synthetic surface
 - minimal thickness for loose particulate materials 200+100mm
 - synthetic surface according to critical fall height

Top view with falling area



COMPONENTS:

Tower without roof, platform 0,90m	1 pc
Tower with roof, platform 0,90m	1 pc
Slide 0,90m	1 pc
Fireman's pole 0,90m	1 pc
Climbing wall 0,90m	1 pc
Slope gangway 0,90m	1 pc
Tunnel passage	1 pc
Balcony	1 pc
Little shop	1 pc

MATERIALS:

Construction poles:	recycled material
Anchors:	galvanized steel
Flat decorative elements:	HDPE sheets
Platforms:	recycled material
Steel elements:	galvanized steel, powder coated
Surface of slide:	stainless steel
Climbing walls:	recycled material, climbing grips based on resins
Tunnel:	PVC pipe fastened to HDPE boards
Caps:	plastic
Foundations:	concrete min. C12/15 standard



SATERNUS DISTRIBUTION Sp. z o.o. sp.k.
ul. Nowa 32
41-500 Chorzów, Poland

Certificate beholder:
Producer:
Distributor:

GRUPA SATERNUS Sp. z o.o. S. K. A. reserves all rights to protect copyright under the Act of February 4, 1994 on Copyright and Related Rights (Journal of Laws No. 28, pc 83), and in particular Art. 78 and 79 of this Law.

GRUPA SATERNUS Sp. z o.o. S. K. A.
Saternus Production Sp. z o.o. sp. k.
Saternus Distribution Sp. z o.o. sp. k.